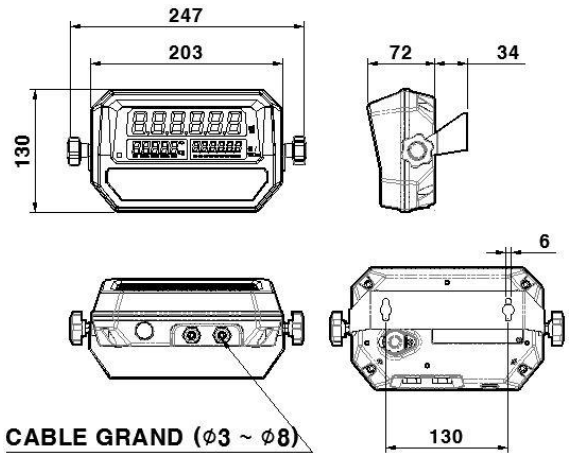




IR controller (Option)



FEATURE

- ◆ Big size display
- ◆ Water proof : IP-66
- ◆ Average hold functions
- ◆ Multiple options
 - OP-01 : IR remote controller
 - OP-02 : ZigBee wireless
 - OP-03 : Bluetooth wireless
 - OP-04 : RS-232C compliant

MODEL	TI-3800L	TI-3800BL
Display	6 digit, 24mm , 5digit. 14mm FSTN LCD / LED Backlight	
Built in battery	N/A	3.7V Li-Po battery
Input sensitivity	Up to 0.5uV/D	
Input signal range	0~39mV	
Non linearity	<±0.0015% of FSR max.	
Load cell excitation	DC 3V± 5%, 200mA (Up to 8 unit of 350ohm)	
Effective resolution	24bit	
External resolution	Up to 100,000counts	
Output data rate	4.7 to 200 measurements per second	
Operating time	N/A	Approx. 100hr
Temperature range	-10℃ ~ 40℃	
Product weight	Approx. 900g	
Power	AC/DC Adaptor 5VDC 1A	